

MOTORISED MID-POSITION DIVERTER VALVE

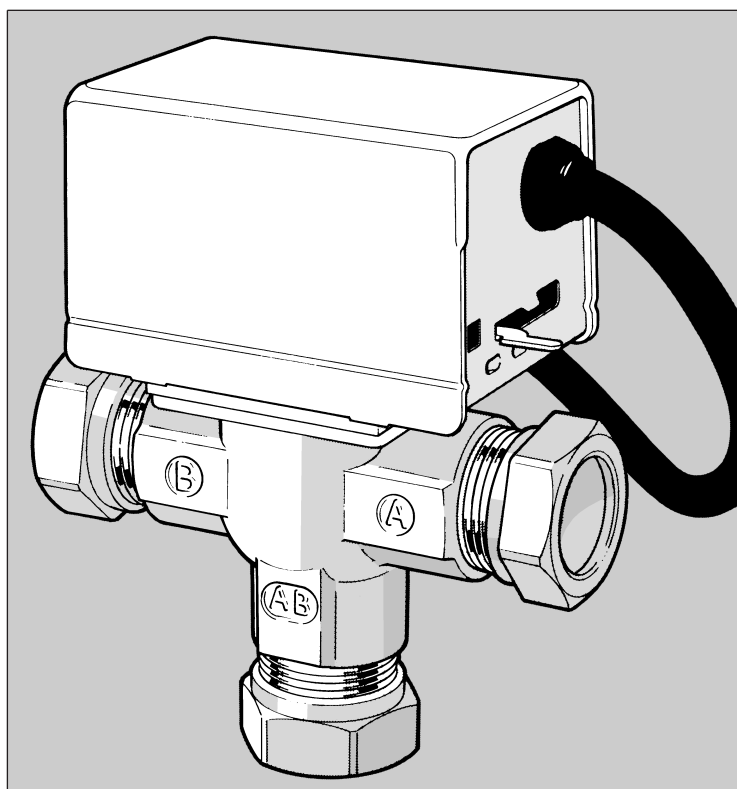
V4073A

FEATURES

- Spring return action
- Three position operation
- Powerhead replaceable without draining down
- Manual lever for filling/draining down
- Quiet operation, minimal power consumption
- Provides electrical output to boiler and/or pump

OPTIONS

- 22mm/28mm or 3/4" / 1" connections
- Replacement motor
- Replacement powerhead
- Replacement ball and 'O' ring kit



APPLICATION

The V4073A Valve has been designed to control the flow of water in domestic central heating systems, where both radiator and hot water cylinder circuits are pumped. It is typically suited for small to medium sized installations.

The V4073A Mid-position Diverter Valve should be used in conjunction with a room thermostat and cylinder thermostat to provide full temperature control of a conventional, fully pumped central heating installation. When used in this way, the control system is known as Sundial Y Plan and the components can be connected together using the Sundial Plan Wiring Centre which has dedicated terminations and there is no need for a wiring diagram.

An alternative method of wiring is to use the Honeywell 10-way Junction Box (42002116-001) together with the Honeywell Sundial Plans Wiring Booklet.

HEATING CONTROLS

Honeywell

4.21

MOTORISED MID-POSITION DIVERTER VALVE

V4073A

Installation

The **V4073A** Mid-position Diverter Valve must be positioned where it cannot block any vent or cold feed when either port A or B are closed. It may be plumbed in at any angle but the flow must go into Port AB and must **not** be mounted so that the powerhead is below the horizontal level of the pipework.

If fitted in a confined space, sufficient ventilation must be available to keep the valve within its ambient temperature range and access must be provided to remove the powerhead if necessary.

Ordering Specification

V4073A1039

22mm compression. 6.0 K.V. Maximum close-off differential pressure 0.69 bar

V4073A1054

As above, but 3/4" BSP Female

V4073A1088

28mm compression. 8.1 K.V. Maximum close-off differential pressure 0.55 bar

V4073A1062

As above, but 1" BSP Female

40002737-003

240VAC replacement motor

40003916-003

Replacement powerhead

40003918-007

Plate & ball assembly kit – can be used when replacing pre 1987 valves

272752A/U CARD

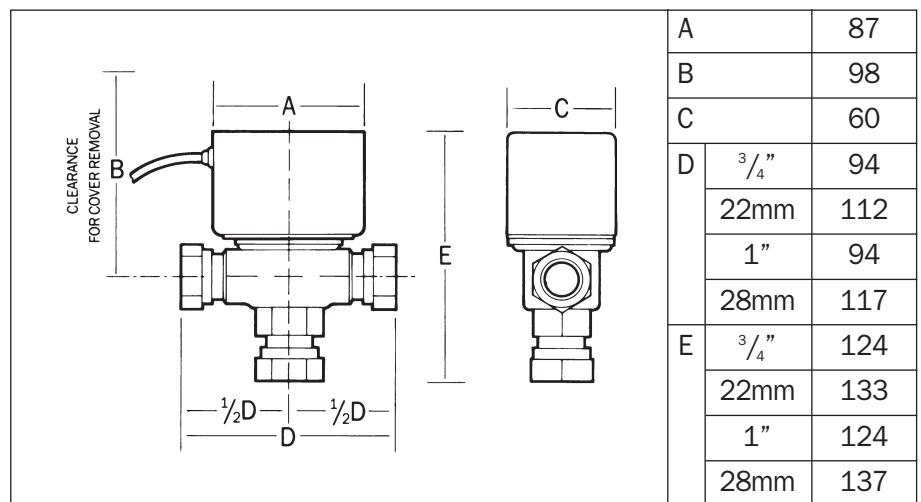
Replacement Ball & 'O' ring kit

Specification

Power Supply	: 230VAC 50Hz
Power Consumption	: 6W
Electrical Connections	: 1m flying lead, heat resistant cable
Timings (Nominal)	: Valve opens to Port A (from Port B) in 18 seconds (under power) Valve opens to Port B in 8 seconds (under spring return)
Ambient Temperature Range	: 5 to 50°C
Flow Temperature	: 5 to 88°C
Static Pressure	: 8.6 bar max
Flow Directions	: See below
Standards	: CE, UL, CSA
Approvals	: 89/336/EEC & 73/23/EEC

Note: Continuous operation of the valve motor at the fully open position (Htg only) is not recommended.

Dimensions (mm)



Valve Operation

The V4073A operates as follows:

- No power (on valve) = HW only (port B open)
- 240V on white wire = HW + CH (mid position)
- 240V on white & grey wires = CH only (port A open), 240V output on orange wire
- 240V in grey wire = Valve held in last position (but if last position was CH, approx 100V output on orange wire)

Flow Characteristics

