

# GA V70

oil filters



**altecnic**

# GA V70 oil filters



## Application

The Altecnic range of oil filters are suitable for use with diesel and other heavy fuel oils.

An oil filter should be fitted in the oil supply pipework to domestic and commercial oil fired boilers to prevent debris from entering the burners, which can reduce the efficiency of the boiler.

The filter elements are smooth steel for long life and can be easily removed for cleaning.

Most sizes are supplied with a bleed screw for the removal of any air trapped in the pipework during filling and commissioning.

The oil filters are uni-directional and must be installed with the flow direction arrows, cast on the body, pointing in the same direction as the oil flow.

Sufficient clearance must be allowed for the removal of the bowl and filter. On the larger sizes, the bowl is secured by a central retaining bolt.

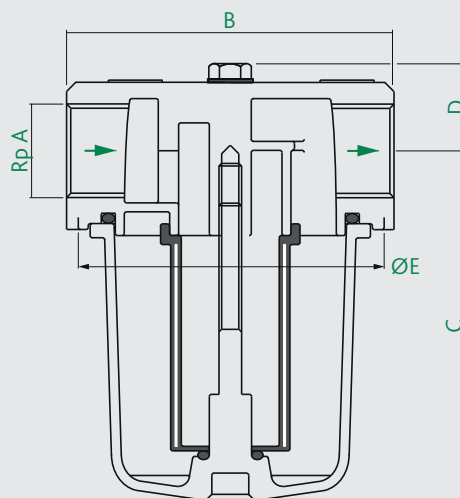
Oil filters must be sized correctly to suit the fuel oil and to ensure excessive pressure does not occur which may affect the performance of the boiler. The pressure loss and capacity chart should be referred to for guidance when sizing.

Product Code	Size	Description
GA-V7045101ALS	¼"	with bleed screw
GA-V7045201ALS	¼"	with bleed screw
GA-V70451101AL	¼"	without bleed screw
GA-V7010401A	¾"	with central bolt and bleed screw
GA-V7010101	1"	with central bolt and bleed screw

## Technical Data

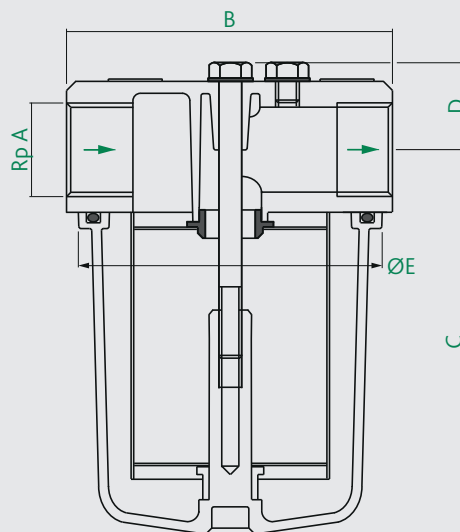
Max. operating pressure:	2 bar
Max. operating temperature:	90°C
End connections parallel female:	BS EN 10226-1
Bowl material:	aluminium
Filter element:	steel
Filter aperture size:	¼" and ¾" sizes 60µ
	¾" and 1" sizes 100µ

## Dimensions GA-V7045



Code	Rp A	B	C	D	E	kg
GA-V7045101ALS	¾"	61	55	20	54	0.16
GA-V7045201ALS	¼"	61	55	20	54	0.17
GA-V70451101AL	¾"	61	55	20	54	0.16

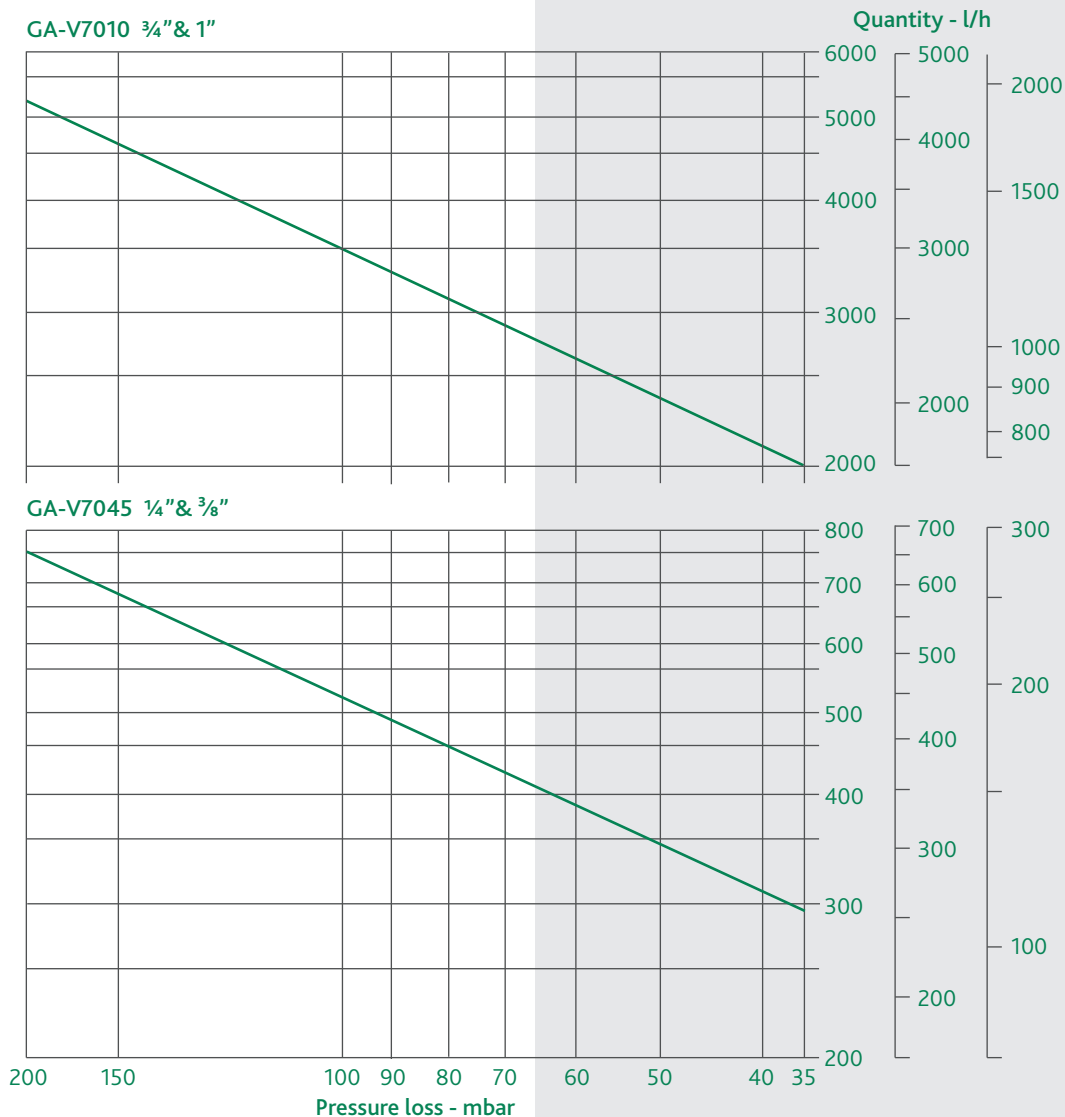
## Dimensions GA-V7010



Code	Rp A	B	C	D	E	kg
GA-V7010401A	¾"	120	146	29	105	0.85
GA-V7010101	1"	120	146	29	105	0.81

# GA V70 oil filters

## Pressure Loss and Flow Capacity



### Capacities

Scale 1 is for diesel oil with a viscosity of 1.5° Engler degrees have been determined using a filtering element with a filtration degree of 0.1 mm (100µ).

Scales 2 is for heavy oil with a viscosity of 3° Engler degrees have been determined using a filtering element with a filtration degree of 0.3 mm (300µ).

Scales 3 is for heavy oil with a viscosity of 15° Engler degrees have been determined using a filtering element with a filtration degree of 0.3 mm (300µ).

### Capacities

All tests have been carried out with filters with the largest connections (3/4" and 1") and with perfectly clean filter elements. For filters with smaller connections (1/4" and 3/8") the pressure loss will increase slightly.

Oil filters must be sized correctly within the pressure loss range 200 to 35 mbar (20 to 3.5 kPa) and to avoid frequent cleaning.

E & O.E

Altecnic Ltd Mustang Drive, Stafford, Staffordshire ST16 1GW

T: +44 (0)1785 218200 E: sales@altecnic.co.uk

Registered in England No: 2095101

altecnic.co.uk

AL 068 13-12-11