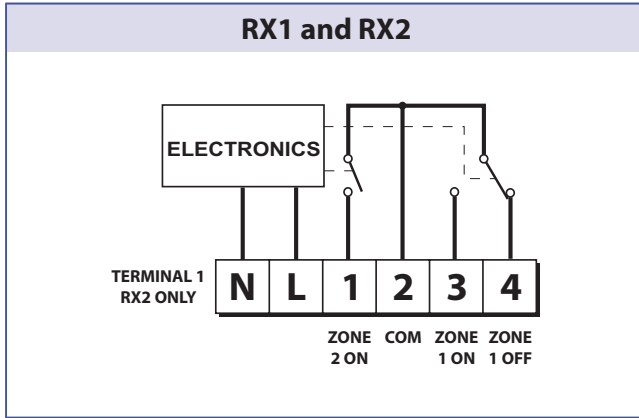


Wiring Diagram for RX1 and RX2



Wiring Diagram for RX2-C

