

# MOTORISED DIVERTER VALVE

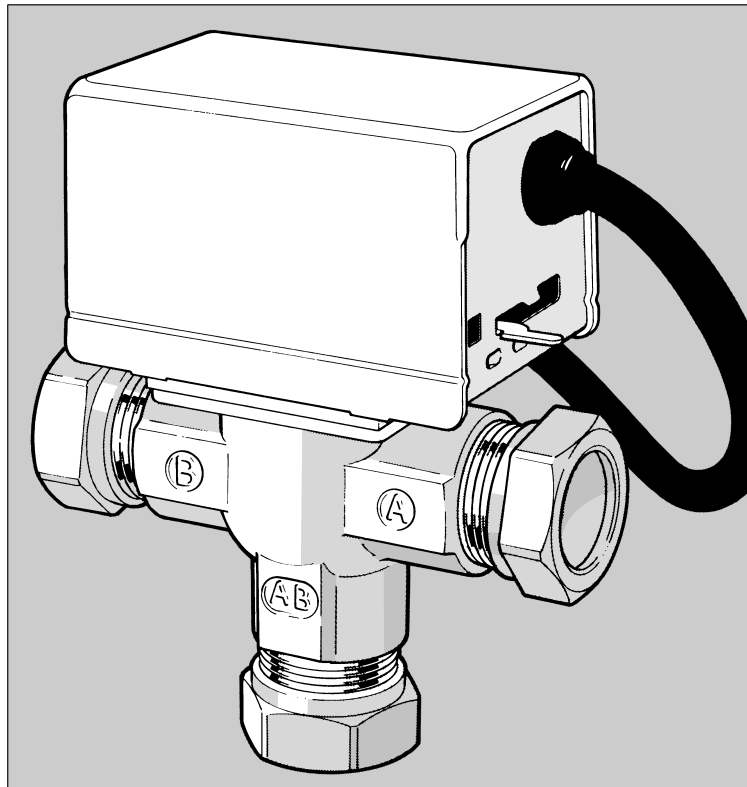
## V4044C

### FEATURES

- Spring return action
- Two position operation
- Powerhead replaceable without draining down
- Manual lever for filling/draining down
- Quiet operation, minimal power consumption

### OPTIONS

- 22mm/28mm or 1/2" / 1" connections
- Replacement motor
- Replacement powerhead
- Replacement ball and 'O' ring kit



### APPLICATION

The V4044 Motorised Diverter Valve has been designed to control the flow of water between heating and hot water in domestic fully pumped central systems.

The Diverter Valve will only allow flow to one zone at any one time. The V4044 is used in the Sundial W Plan Hot Water priority system.

**HEATING CONTROLS**

**Honeywell**

4.20

# MOTORISED DIVERTER VALVE

# V4044C

## Installation

The **V4044** diverter valve must be positioned where it cannot block any vent or cold feed when either port A or B are closed. It may be plumbed in at any angle but the flow must go into Port AB and must **not** be mounted so that the powerhead is below the horizontal level of the pipework.

If fitted in a confined space, sufficient ventilation must be available to keep the valve within its ambient temperature range and access must be provided to remove the powerhead if necessary.

## Ordering Specification

### V4044C1288

22mm compression. 6.0 KV. Maximum close-off differential pressure 0.69 bar

### V4044C1098

As above, but  $\frac{3}{4}$ " BSP Female

### V4044C1569

28mm compression. 8.1 KV. Maximum close-off differential pressure 0.55 bar

### V4044C1494

As above, but 1" BSP Female

### 40001011-002

24VAC motor kit (low voltage applications)

### 40002737-003

240VAC replacement motor

### 40003916-002

Replacement powerhead

### 40003918-007

Plate & ball assembly kit – can be used with pre 1987 valves

### 272752A/U CARD

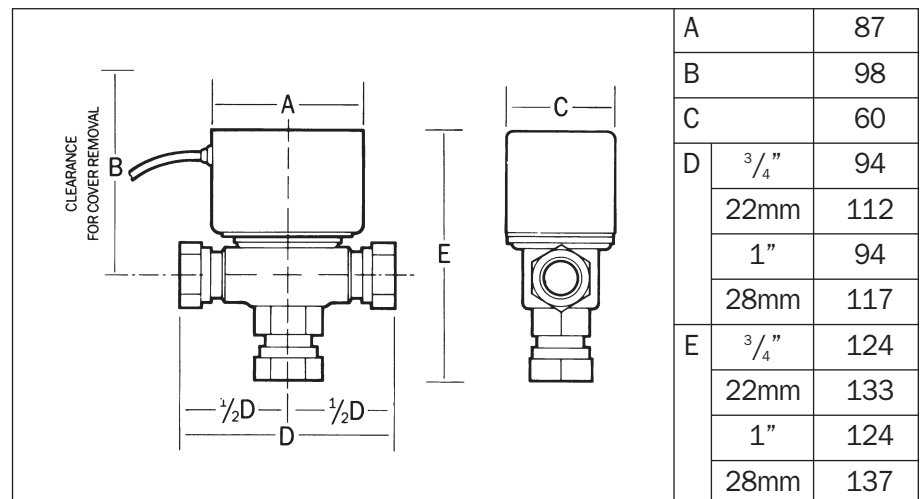
Replacement Ball & 'O' ring kit

## Specification

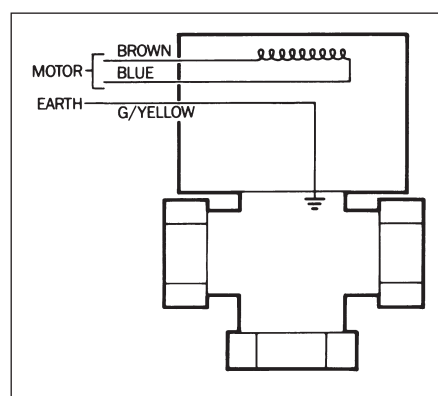
Power Supply	: 230VAC 50Hz
Power Consumption	: 6W
Electrical Connections	: 1m flying lead, heat resistant cable
Timings (Nominal)	: Valve opens to Port A (from Port B) in 18 seconds (under power) Valve opens to Port B in 8 seconds (under spring return)
Ambient Temperature Range	: 5 to 50°C
Flow Temperature	: 5 to 88°C
Static Pressure	: 8.6 bar max
Flow Directions	: INLET Port AB Port A open when energised : Port B open de-energised
Standards	: CE, UL, CSA
Approvals	: 89/336/EEC & 73/23/EEC

Note: Continuous operation of the valve motor at the fully open position (Port A only) is not recommended.

## Dimensions (mm)



## Wiring



## Flow Characteristics

