

# DUAL AQUASTAT IMMERSION THERMOSTAT

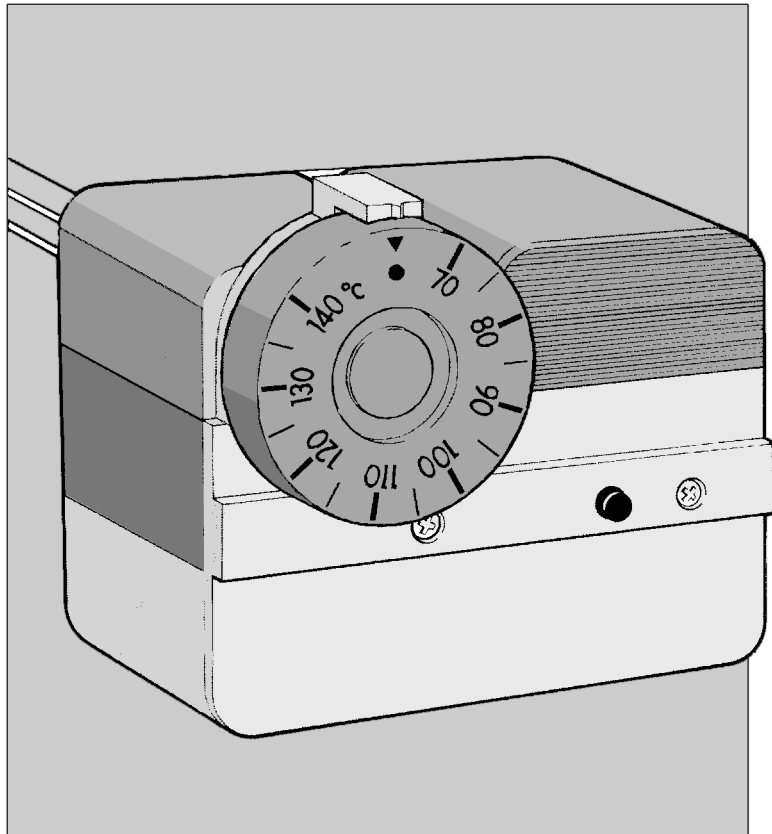
## L6191A/B

### FEATURES

- Fast thermal response
- Combined controller and limit
- Double insulated
- Easy to wire terminals

### OPTIONS

- Gold plated limit contacts for use in thermocouple/ECO applications



### APPLICATION

The L6191 Dual Aquastat combines both the controller and limit Thermostats into one common unit, requiring only one direct immersion well. The controller and limit heads are provided with a jumper to minimise wiring.

The controller has an external adjustment, while the limit has concealed adjustment with manual reset feature.

**HEATING CONTROLS**

**Honeywell**

4.17

# DUAL AQUASTAT IMMERSION THERMOSTAT

# L6191A/B

## Installation

The **L6191** Dual Aquastat is a combined direct immersion water temperature controller and high limit control for atmospheric boilers and hot water cylinders.

The temperature probes should be inserted in  $\frac{1}{2}$ " dry well.

## Ordering Specification

### L6191A2015

Controller, setting 25 to 95°C, Diff. 4°C. Limit fixed at 101°C with gold contacts. No internal link

### L6191B2005

Controller, setting 25 to 95°C, Diff. 4°C. TP Limit, setting 40 to 110°C with manual reset and well assembly

### L6191B2021

Controller, setting 70 to 140°C, Diff. 4 to 10°C. TP Limit, setting 40 to 110°C with manual reset and well assembly

### 45.900.409-007B

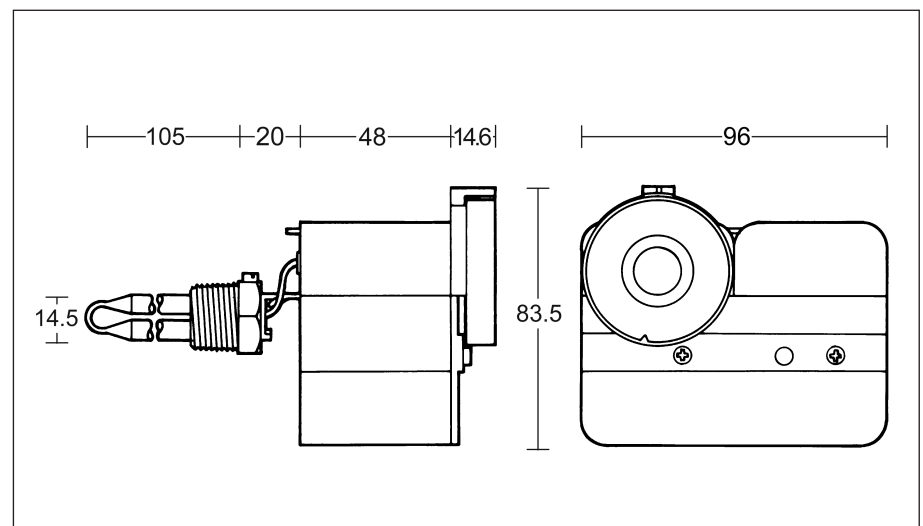
Dual dry well assembly for above.  $\frac{1}{2}$ " BSPT thread. Length 105mm

TP = Tamperproof. Temperature adjustment from dial under top cover.

## Specification

Switch Rating	: 250VAC, 10A resistive, 2.5A inductive
Switch Type	: Single pole, double throw (SPDT)
Ambient Temperature Range	: 0 to 70°C
IP Rating	: IP40
Standards	: CE, UL, AGA, CSA
Approvals	: 73/23/EEC, DIN3440

## Dimensions (mm)



## Wiring

