

# AQUASTAT IMMERSION THERMOSTAT

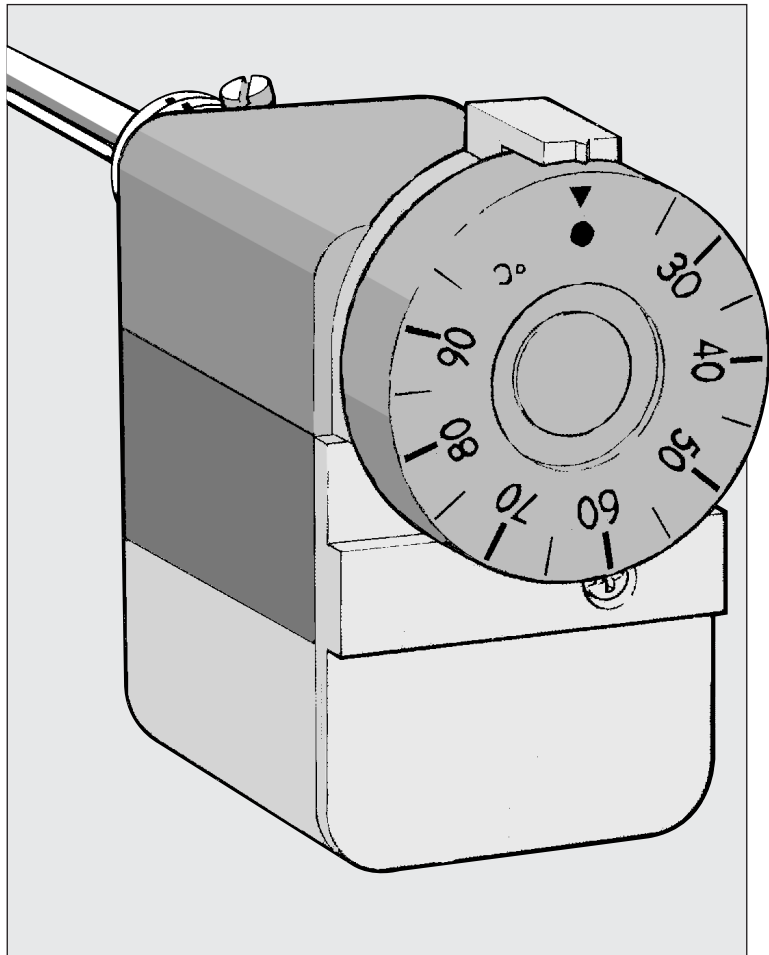
## L6188A/B/C

### FEATURES

- Fast thermal response
- Easy wire terminals
- Double insulated

### OPTIONS

- External dial adjustment
- Tamperproof adjustment
- Manual reset limits
- Direct mount or remote probe
- Adjustable switching differential



### APPLICATION

The L6188 Aquastats are primarily designed for application on water filled heating and hot water systems in domestic and commercial premises.

The liquid filled temperature probe is designed to be inserted into a well in a heat exchanger or pipework. This ensures highly responsive temperature control.

The L6188A are control thermostats with external control dial. The L6188B are control thermostats with tamper proof internal adjustment.

The L6188C are limit thermostats with tamper proof internal adjustment and manual reset.

**HEATING CONTROLS**

**Honeywell**

4.15

## ■ Installation

The **L6188** Aquastats can be installed horizontally or vertically. The temperature probe should be inserted in  $\frac{1}{2}$ " dry well.

## ■ Ordering Specification

### L6188A2002

Controller, external adjustment knob setting 25 to 95°C, Diff. 4 to 10°C. With well assembly

### L6188A2010

As above, but setting 40 to 110°C

### L6188A2036

As above, but setting 70 to 140°C

### L6188A2044

Controller, external adjustment knob setting 40 to 110°C, Diff 4 to 10°C. With high & low limit stops

### L6188A2028

Controller, external adjustment knob setting 25 to 95°C, Diff. 4 to 10°C. With 1500mm capillary

### L6188B2000

TP\* Controller, setting 25 to 95°C, Diff. 4°C. Without wiring terminal cover

### L6188B2018

TP\* Controller, setting 70 to 140°C, Diff 4 to 10°C. With 1500mm capillary

### L6188B2026

TP\* Controller, setting 40 to 110°C, Diff. 4 to 10°C

### L6188B2034

TP\* Controller, setting 25 to 95°C, Diff. 4°C. With well assembly

### L6188C2008

TP\* Limit, internal setting 70 to 140°C, with manual reset

### L6188C2016

TP\* Limit, internal setting 25 to 95°C, with manual reset. With well assembly

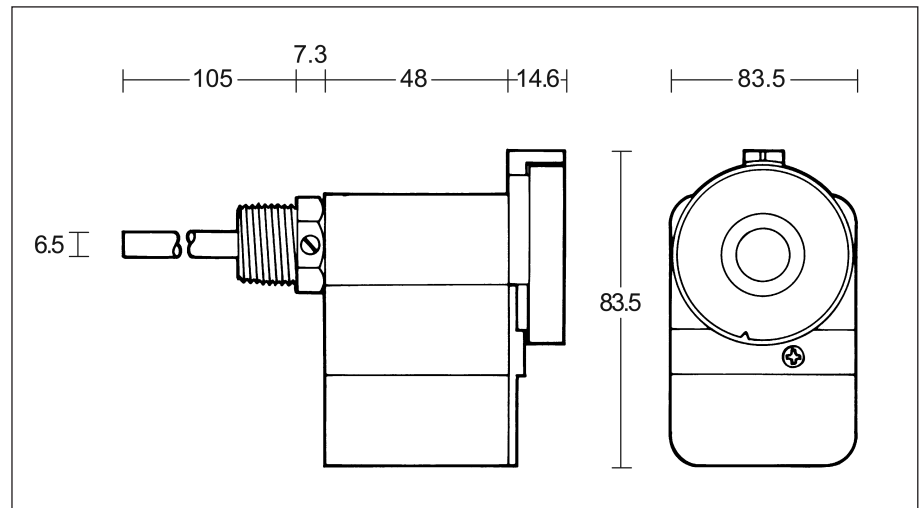
### 45.900.409-003

Single dry well assembly for above.  $\frac{1}{2}$ " BSPT thread. Length 105mm

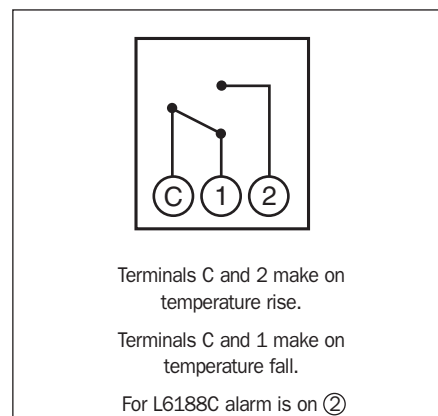
## ■ Specification

Switch Rating	: 250VAC, 10A resistive, 2.5A inductive
Switch Type	: Single pole, double throw (SPDT)
Ambient Temperature Range	: 0 to 70°C
IP Rating	: IP40
Standards	: CE, UL, AGA, CSA
Approvals	: 73/23/EEC, DIN3440

## ■ Dimensions (mm)



## ■ Wiring



\*TP = Tamperproof. Temperature adjustment from dial under top cover.