

MIRA CODA PRO ERD

- Thermostatic temperature stability keeps showering safe for all the family
- Separate temperature and on/off/diverter controls enable you to fine tune your perfect shower
- Maximum temperature stop for increased safety with override for a hotter shower
- Intuitive, integrated diverter allows you to easily divert between the deluge head and handshower
- Single spray 20cm deluge head and 9cm handshower with rub clean nozzles for easy limescale removal
- Cool Shield™ Technology means the valve doesn't get hot during showering
- Works on all systems and pressures offering genuine performance from 0.1 bar



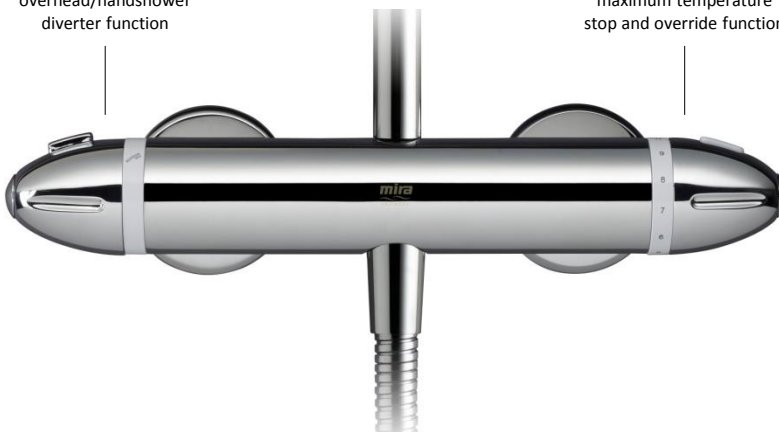
Mira Coda Pro ERD (1.1836.006)
Thermostatic mixer shower with deluge head and separate handshower



20cm single mode chrome deluge head with white spray plate & rub clean nozzles

Integrated on/off and overhead/handshower diverter function

Temperature control with maximum temperature stop and override function



Coda Pro's front of tile, fast-fit installation system



Step 1: Cut pipes to length

Step 2: Fix wall brackets/connectors

Step 3: Attach valve body

TECHNICAL SPECIFICATION

Installation and Maintenance

Please refer to the appropriate Installation and User Guide

Connections

Pipe connection points: ½" BSP to pipework
(Offset connector)¾" BSP connection to valve

Standard connections

HOT to the LEFT; COLD to the RIGHT

CAUTION: This product does not allow for reversed inlets and will deliver unstable temperatures if fitted incorrectly

Materials

Body: Chrome plated brass

Operation

The Mira Coda Pro ERD Bar Valve is a thermostatic mixer shower with separate on/off/diverter and temp controls incorporating a single spray deluge head and handshower

Guarantee

Mira Coda Pro ERD Thermostatic Mixer: 5 years domestic
Deluge head, Handset and Fittings: 1 year domestic

Approvals

WRAS approved (Water Regulations Advisory Scheme)

Temperature range

- Maximum blend preset to **39°C** with **6°C** override (adjustable)
- Optimum thermostatic control range: **35°C to 45°C**, (achieved with supplies of 15°C cold, 65°C hot and nominally equal pressures)
- Recommended hot supply: **60°C to 65°C**. **Note:** The mixing valve can operate at higher temperatures for short periods without damage. However, for safety reasons it is recommended that the maximum hot water temperature should not exceed 65°C
- Cold water range: up to **25°C**
- Minimum recommended differential between hot supply and outlet temperature: **12°C** at desired flow rates

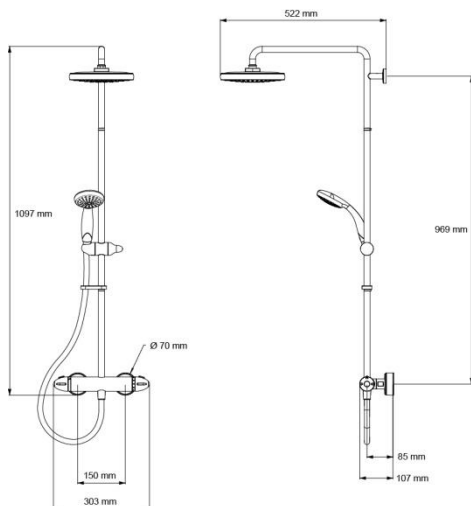
Pressures/flow rates

- Maximum static pressure: **10 bar**
- Maximum maintained pressure: **5 bar**
- Minimum maintained pressure, (Gravity System): **0.1 bar** (0.1 bar = 1 metre head from cold tank outlet to showerhead)
- For optimum performance, supply pressures should be nominally equal

Thermostatic shutdown

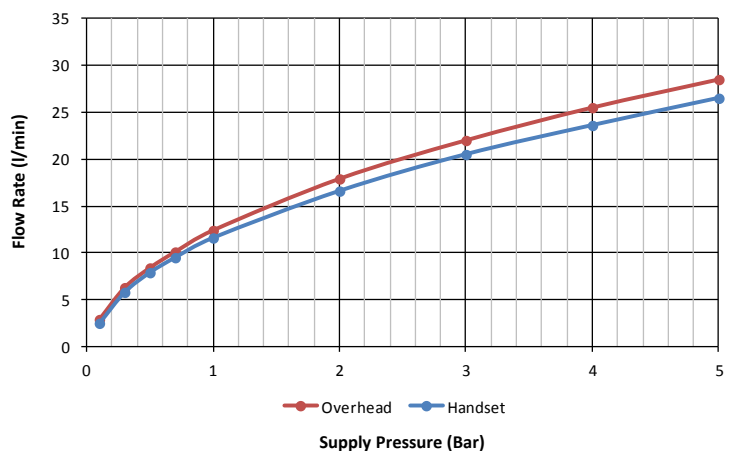
- For safety, the thermostat will shut off the mixing valve **within 2 seconds** if either supply fails

Product Dimensions (mm)



Flow Performance

Mira Coda Pro ERD – Pressure vs. Flow



© 2013 by Mira

Kohler Mira Ltd.

Cromwell Road, Cheltenham, Gloucestershire GL52 5EP, United Kingdom

Customer Services: +44 (0) 844 571 5000

Brochure Enquiries: +44 (0) 844 571 0005

www.mirashowers.co.uk



FM 14648

