

# Quartz<sup>®</sup> Digital

Concealed with adjustable height head

- Quick and easy installation, minimal damage to décor
- All components in one system pack
- Integral safety features
- Supplied with Varispray shower head
- Compatible with virtually all approved UK domestic water systems
- 5 year comprehensive manufacturer's guarantee

## POWER SOURCE

230Vac supply via outlet fused at 3amps (2 metres of cable supplied).

## POWER CONSUMPTION

**STANDARD UNIT**  
230Vac 5 watts idle.  
20 watts peak during valve positioning.

**PUMPED UNIT**  
230Vac 5 watts idle.  
100 watts on normal/150 watts on boost.  
Voltage at control is 5Vdc.  
Power consumption of LED is 1 watt.

## WATER PRESSURES (AT PROCESSOR INLETS)

**STANDARD UNIT**  
Minimum: 100kPa (1 bar) (10 metre head).  
Maximum: 700kPa (7 bar) (70 metre head).

Combination boilers must have a minimum domestic hot water rating of 24kW (80,000 Btu) and must be of the type fitted with a fully modulating gas valve.

**PUMPED UNIT**  
Minimum: The base of the processor must be sited no higher than the base level of the cistern.  
Maximum: 100kPa (1 bar) (10 metre head).  
The pumped unit must not be connected to a mains supply.

## FLOW RATE (LITRES PER MINUTE)

**STANDARD UNIT**  
High pressure unvented system, 3 bar 18 ltr/min  
Flow rates when installed on a combination boiler can vary. Check suitability before installation.

**PUMPED UNIT**  
Normal at 1 metre head 13 ltr/min  
Boost at 1 metre head 18 ltr/min  
(Pump rating 15 minutes in 1 hour).

## TEMPERATURES

**FACTORY PRESET**  
45°C (+/- 1°C)

**RANGE OF ADJUSTMENT** via adjustment screw on processor depending on incoming water temperature.  
Maximum: 55°C (recommended max temp 46°C)  
Minimum: 15°C

## CONNECTIONS

Processor 15mm push-fit.  
Hot/cold pipe centres for both processors 48mm.  
Wall outlet 15mm push-fit connection.  
Connections are suitable for copper or plastic pipe.

## DATA CABLE LENGTH

10 metres. Must be run in suitable sized conduit to allow for easy removal.

## APPROVALS

BEAB approved to BS EN 60335 and BS EN 60730.  
Conforms to EC regulations.

## WATER SYSTEM COMPATIBILITY

**STANDARD PROCESSOR**  
Gravity  Combi  Mains fed  Unvented

**PUMPED PROCESSOR**  
Gravity  Combi  Mains fed  Unvented

## ACCESSORIES

Quartz Digital retro fit wallplate 223121  
Quartz Digital dual switch QZ.B3.DS.05  
Digital wireless remote RC0805

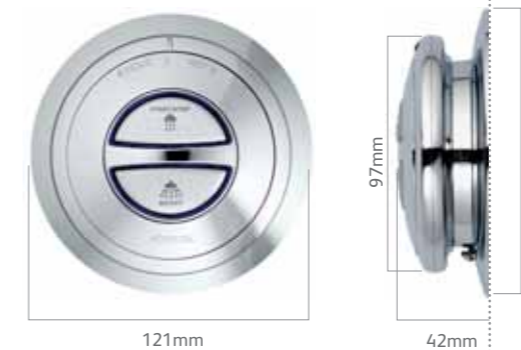
Standard	Chrome	QZ.A1.BV.05
Pumped	Chrome	QZ.A2.BV.05

## SHOWER HEAD

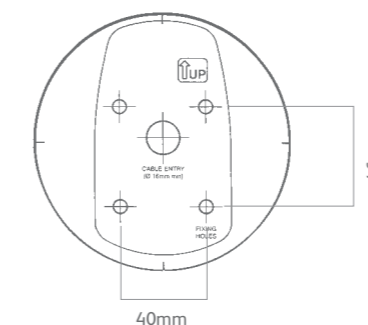


## SHOWER CONTROL

Pumped control shown.



Template supplied.



Pumped system shown.